

OSW-P, Single & Dual Level 347V



- **Exclusive Energy Savings Mode (Dual Level Model Only)**
- **Zero-crossing technology to maximize relay life and ensure wall switch longevity**
- **No minimum load requirement**
- **Air-gap switch ensures no leakage current to load**
- **Manual OFF Pushbutton can be used in either mode**
- **NEMA WD7 Guide robotic method utilized to verify coverage patterns**

Specifications:

Technology: Passive Infrared (PIR)

Electrical Ratings: (per relay)

347 VAC:

Fluorescent/Ballast –

Max. load: 1.7 amps, 600 W, 60 Hz

Ballast Compatibility:

Compatible with magnetic and electronic ballasts.

Time Delays: 15 sec. to 30 min.

Operating Environment:

- Temperature: 60°F - 80°F (15°C - 26°C)
- Relative humidity: Less than 95%, non-condensing
- For indoor use only

Housing: Durable, injection-molded housing. ABS resin complies with UL94V0.

Size:

- **Mounting Plate Dimensions:**
4.5"H X 1.94"W (11.43cm x 4.92cm)
- **Product Housing Dimensions:**
2.73"H X 1.8"W X 1.8"D (6.93cm x 4.57cm x 4.57cm)

Operating Modes:

- Automatic ON/Automatic OFF
- Manual ON/Automatic OFF

LED lamp: Red LED

Warranty: Five year

CSA Listed 

www.coopercontrol.com

Catalog #	Type
Project	
Comments	
Prepared by	Date

Self-adjusts sensitivity and time delay in real-time

Automatically resets the time delay to 10 minutes if left in installer mode

Built in feature prevents false activation during a building automation system power on sweeps

Automatic ON mode provides maximum convenience

Reinforced lens is tamper-resistant



Overview

The OSW-P is a motion sensing lighting control and conventional wall switch all-in-one. This self-contained unit is offered in two versions: one switches a single circuit and the second has two relays and is commonly called a dual-level sensor. Wall switches are ideal for smaller spaces where you will not have obstructions of line-of-sight due to switch location, room orientation or furniture placement.

Operation

The OSW-P includes self-adapting technology that continually adjusts to conditions by adjusting sensitivity and time delay in real-time.

Single Circuit and Two Circuit/Dual-Level

In the Automatic ON Mode, the lights turn ON automatically when a person enters the room. In the Manual ON Mode, the lights are turned ON by pressing the touchplate at the top of the switch. In either mode, the lights will stay ON as long as the sensor detects motion in the room. When the room is vacated, the lights will turn OFF automatically after preset time delay interval.

Two Circuit/Dual-Level

The OSW-P-0451-D347 allows the control of two separate loads with one switch. The Two Circuit switch operates the same in the Auto and Manual modes as the single circuit switch. To change light levels once the lights are ON, the user presses and holds the touchplate allowing the lights to cycle through in the following order: primary load only, both loads, secondary loads only. The Dual-Level also has an Energy Saver mode that ensures that the wall switch only activates one load. If both loads are on when the sensor times out, only the primary load will be activated. If only the primary or secondary load was on at time of shut out, the sensor will reactivate the load that was on at the time. If the lights were shut OFF manually, the switch will activate the primary load only.

Application

offices	board room
conference rooms	utility rooms

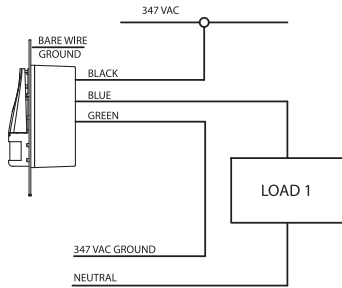
Ordering

Catalog #	Ratings	Coverage	Shut-off Delay
OSW-P-0451-347-W	Fluorescent: 0-600W @ 347V	180°; 450 sq. ft. (41.80 sq. meters)	Adjustable 15 sec. - 30 min.
OSW-P-0451-D347-W	Fluorescent: 0-600W @ 347V Max Load/Relay		

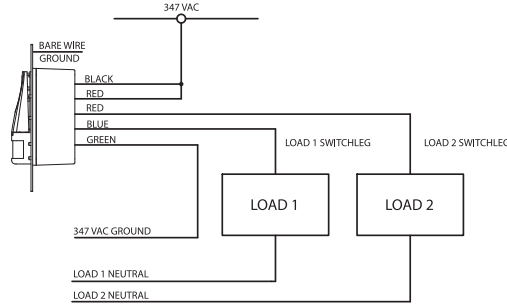
203 Cooper Circle
Peachtree City, GA 30269

P: 800-553-3879
F: 800-954-7016

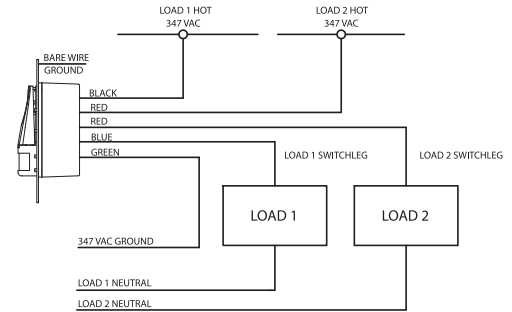
Single Level Switching



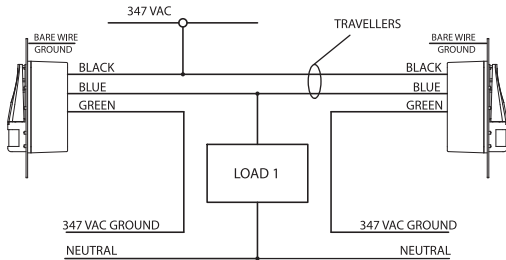
Dual Level Switching—Single Circuit



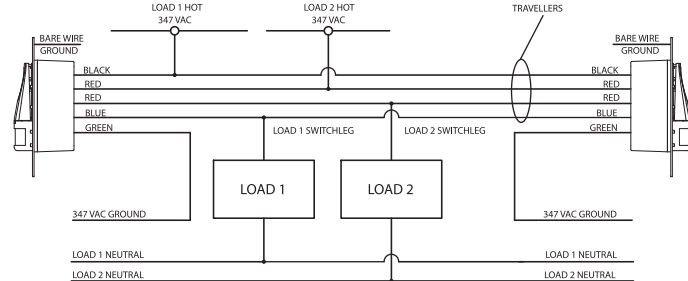
Dual Level Switching—Two Circuits



Three-way wiring diagram: Lights will turn-off automatically when sensor that detected motion last, times out.



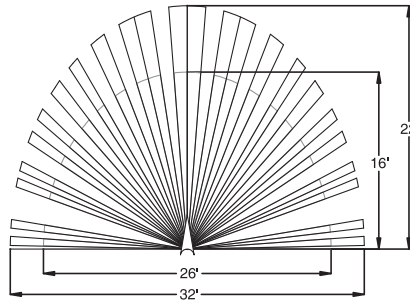
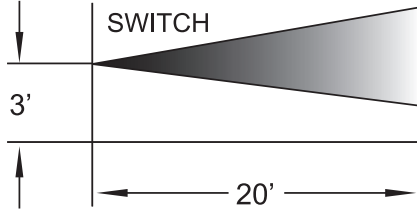
Do not exceed the load ratings of the single switch. Load ratings can not be doubled



Do not exceed the load ratings of the single switch. Load ratings can not be doubled

Coverage

Side View



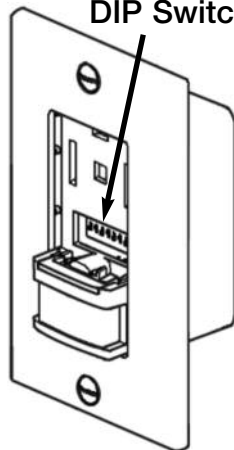
Coverage

The OSW-P series has a coverage range of 180°, a minor motion coverage area of approximately 300 sq. ft., and a maximum coverage area of approximately 450 sq. ft. Maximum coverage area may vary somewhat according to room shape and the presence of obstructions. Tape is provided which can be placed on the sensor lens to control the horizontal field of view on each side of the sensor.

The NEMA WD 7 Guide and robotic method were utilized to verify coverage patterns.

Contols

DIP Switches



Time Delay (Minutes)	Switch Number			
	1	2	3	4
0.25	-	-	-	-
2	-	-	-	o
4	-	-	o	-
6	-	-	o	o
8	-	o	-	-
10	-	o	-	o
12	-	o	o	-
14	-	o	o	o
16	o	-	-	-
18	o	-	-	o
20	o	-	o	-
22	o	-	o	o
24	o	o	-	-
26	o	o	-	o
28	o	o	o	-
30	o	o	o	o

o = ON - = OFF

DIPSWITCH CONTROL LEGEND

- 1 - TIME DELAY
- 2 - TIME DELAY
- 3 - TIME DELAY
- 4 - TIME DELAY
- 5 - AUTO ON / MANUAL ON ▲
- 6 - DISABLE SELF-ADJUST ▲
- 7 - ENERGY SAVER MODE ON ▲
DUAL LEVEL ONLY
- 8 - OVERRIDE ON ▲

